

Bronze Ball Valves PN40/600PSI/Class300

Full-Bore, Chrome-Plated Ball
BSEN12288, Threaded Ends Comply to BS21 or ANSI 2.1



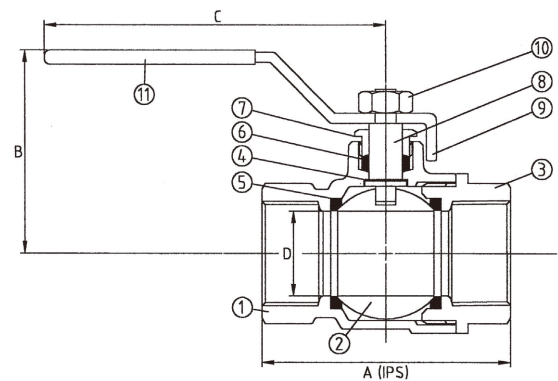
B109
1/2" - 2"

Hydraulic Pressure Test	
Body	6.0Mpa/60Bar
Seat	4.0Mpa/40Bar

Pressure Ratings	
0.9 Mpa at 180°C	
4.0 Mpa at -20°C-100°C	

Materials List

No	Part	Specification	BS EN	ASTM
1	Body	Cast Bronze	1982 CC490K	B584 CA844
2	Ball	Brass	12164 CW603N	B16 CA360
3	End Cap	Cast Bronze	1982 CC490K	B584 CA844
4	Thrust Washer	PTFE	PTFE	PTFE
5	Seat	PTFE	PTFE	PTFE
6	Stem Packing	PTFE	PTFE	PTFE
7	Packing Gland	Brass	12164 CW603N	B16 C3600
8	Stem	Brass	12164 CW603N	B16 C3600
9	Handle	Steel		A107
10	Handle Nut	Steel		A107
11	Handle Sleeve	PE	VINYL	



1/2" - 1" Solid Ball
1 1/4" - 2" Hollow Ball

Dimensions-Weights

mm		15	20	25	32	40	50
In		1/2	3/4	1	1 1/4	1 1/2	2
A		54.5	62	73.1	82.5	91.7	106.5
B		46	55	62	70	75	82
C		82	103	105	106	150	160
D		12.7	19	25	31	38	50
Weight	Lbs	0.53	0.82	1.39	1.54	2.87	4.15
	Kg	0.24	0.37	0.63	0.70	1.30	1.88

* **Freezing Weather Precaution:** Subsequent to testing a piping system, valves should be left in an open position to allow complete drainage.

Each TALOAR bronze valve has been thoroughly cleaned and degreased and packed separately in the sealed polythene bag.